



- Fractional Flow Control Valves
- Heavy Duty Control Valves (1/4" - 2")
- Pressure Regulators
- Back Pressure Regulators
- Piston Operated Pressure Regulators
- Diaphragm-Sensed Pressure Regulators
- High Pressure Regulators  
(up to 12,000 psi/ 827 bar) inlets

 **LOWFLOW**  
**PRODUCT CATALOG**



# ABOUT US

LowFlow control valves and regulators are often used in OEM, laboratory or pilot plant applications. Installations such as these frequently require valve trim changes in order to meet varying flow requirements for a given application.

We understand the value in manufacturing a product designed with this flexibility in mind. That is why all LowFlow control valves offer a multitude of Cv's and flow characteristics in every line size.

Our control valves require no special tools for trim changes, and our bolted body design means you don't even have to take the valve out of line for trim changes or maintenance.

At LowFlow Valve, we've broadened the idea of what "typical" means. While some manufacturers fill a niche with their products, we've proven our mettle across an incredibly diverse range of industries and applications. LowFlow is successfully operated in cryogenic applications down to -425°F (-254°C) to temperatures above 1000°F (538°C).

We control steam, gases, liquids and even VOC's with our bellows design. We realize application challenges are not limited to just temperature or utilities. At LowFlow, Monel, Hastelloy, Alloy 20, Titanium, Kynar and Inconel are just a few of the materials we offer to address your material compatibility challenges.

LOWFLOW VALVE  
3170 Wasson Road  
Cincinnati, OH 45209  
USA

513.533.5600  
LowFlowValve.com  
LowFlow@Richardsind.com

# TABLE OF CONTENTS

DESCRIPTION	PAGES
FRACTIONAL FLOW CONTROL VALVES	5-18
HEAVY DUTY CONTROL VALVES	19-23
PRESSURE REGULATORS	24-38
JORLON DIAPHRAGM	26-27
BACK PRESSURE REGULATORS	39-43

FOR **CRITICAL** CONTROL  
OF **LIQUID, GAS** OR  
**STEAM** FLOW...

WE ARE YOUR  
**TRUSTED, HIGH**  
PERFORMANCE  
**SOLUTION**



Look for the LowFlow Express symbol for next day shipments

# FRACTIONAL FLOW CONTROL VALVES



# MARK 708 SERIES

## When Precision Matters

When you need to specify a control valve, a broad range of options is important, and sometimes, critical. At LowFlow Valve, we have the solutions you need.

### **MATERIALS**

- Carbon Steel (Nace Certified Variant)
- Stainless Steel (Nace Certified Variant)
- Alloy 20
- Hastelloy B
- Hastelloy C
- Titanium
- Monel
- Other materials upon request

### **ACTUATORS**

- Pneumatic
- Electric

### **CV'S (KV'S)**

- 0.00001 to 4 (0,000009 to 3,4)

### **LINE SIZES**

- 1/4" to 3/4" (DN8 to DN20)

### **PRESSURES**

- Up to 12000 psi inlet (827 bar)

### **ACTUATOR SIZES**

- 7M
- 14M
- 35M



#### ACCESSORIES/REGULATORS

- Siemens PS2 - standard side positioner
- Eckardt SRP981 - side mount positioner
- Westlock ICOT 5000 - side mount positioner
- Moore 73-N12-F - top mount positioner
- MAC 225B-111CA - solenoid valve
- Bellofram 51FR - air filter regulator
- 4" Handwheel - handwheel for manual override
- Limit switches - limit switches
- MK10 Series - pressure controller
- Manual handles - manual control handles
- Paint - paint options
- Locking features - regulator locking options

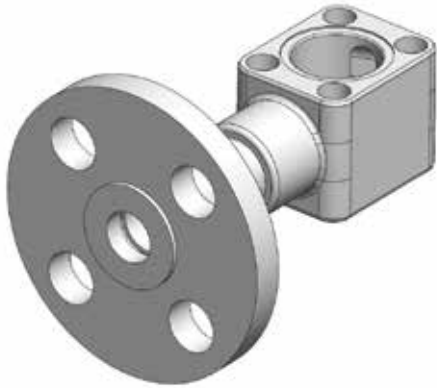
\* Others upon request

#### GENERAL APPLICATIONS

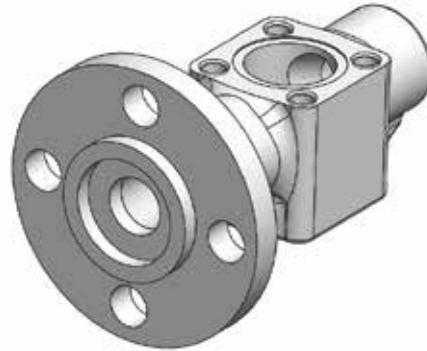
- Pilot plants
- OEM's
- Dosing and injection units
- Steam/process services
- Chemical dosing
- Venting
- Cryogenics
- Oxygen and hydrogen control
- Additive injection
- Hazardous liquids
- High pressure control
- Laboratory processes
- Fuel control
- Biopharm skids

# END CONNECTIONS

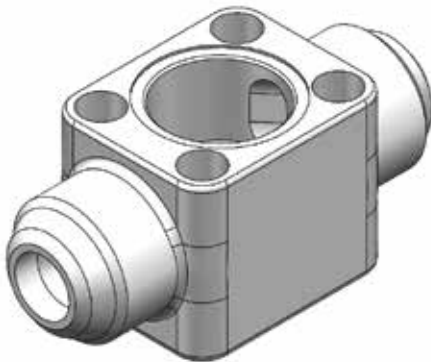
## MK708 Series End Connections



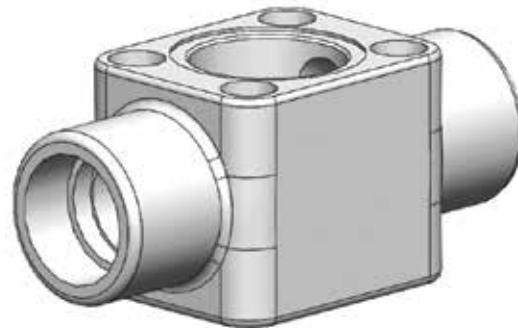
ANSI / DIN FLANGE



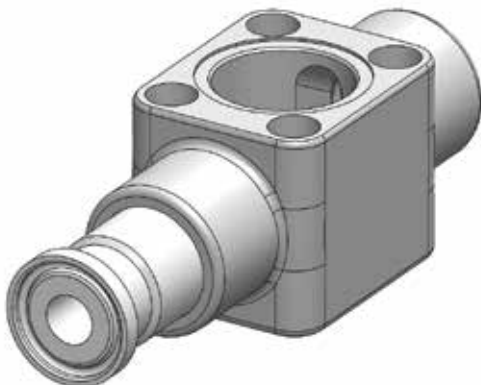
JIS 10K/20K FLANGE



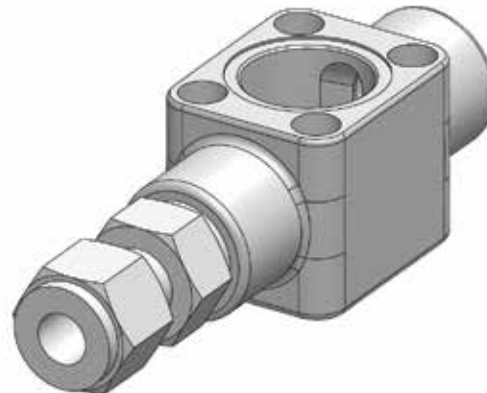
BUTT WELD



SOCKET WELD & NPT (THREADS NOT SHOWN)



TRI-CLAMP



SWAGELOK

Grayloc and custom ends also available



## MARK 708 SERIES

### Precise Control

#### DESCRIPTION & APPLICATION

The Mark 708 was developed by LowFlow Valve to provide accurate control on fractional flow applications. It is a complete line of pneumatic and electrically actuated control valves designed to enhance performance to ensure precision control on your most critical micro flow applications.

- Pilot plant installations
- Test standards
- R & D facilities
- Processing plants
- Specialized processing plants (dosing, injection and venting)

#### INDUSTRIES

- Aviation & aerospace
- Chemical, refining & petrochemical
- Oil & gas
- Process or industrial
- Test equipment & services

#### QUICK SPECIFICATIONS

<b>Seat Type</b>	Globe - Class IV or VI
<b>Sizes</b>	1/4" - 3/4" (DN8 - DN20)
<b>End Connections</b>	Threaded, Socket Weld, Integral Tube, Welded Flange
<b>Body Materials</b>	Carbon Steel, Stainless Steel, Hastelloy C, Monel, Alloy 20, others
<b>Cv (Kv)</b>	0.00001 to 4.0 (0,000009 to 3,4)
<b>Ranges</b>	3-15 or 6-30 psi; split ranges are available with optional positioner



#### KEY FEATURES

- Rolling diaphragm
- Spring-loaded TFE/Chevron packing
- Bolted body/bonnet connection
- Guided trim standard
- Quick change trim standard (0.05 Cv and above)
- Threaded bonnet for quick disassembly
- Secondary stem connection eliminates stroke adjustment when changing trim
- Optional side mounted or top mounted positioner

## MARK 708BS SERIES

### Bellows Stem Seal

#### DESCRIPTION & APPLICATION

Bellows stem seals eliminate fugitive emissions by surrounding the valve stem with a pressure-tight barrier, isolating the stem from the process fluid and preventing leakage to the atmosphere. For an extra measure of protection, the bellows stem seal option provides a back-up seal of Teflon or Graphite/Grafoil packing along with a threaded or NPT detection port for use in monitoring potential emissions leakage.

- Pilot plant installations
- Test standards
- R & D facilities
- Processing plants
- Fugitive emissions
- Hazardous service

#### INDUSTRIES

- Aviation & aerospace
- Chemical, refining & petrochemical
- Oil & gas
- Process or industrial
- Test equipment & services

#### QUICK SPECIFICATIONS

<b>Seat Type</b>	Globe - Class IV or VI
<b>Sizes</b>	1/4" - 3/4" (DN8 - DN20)
<b>End Connections</b>	Threaded, Socket Weld, Integral Tube, Welded Flange
<b>Body Materials</b>	Carbon Steel, Stainless Steel, Hastelloy C, Monel, Alloy 20, others
<b>Cv (Kv)</b>	0.00001 to 4.0 (0,000009 to 3,4)
<b>Ranges</b>	3-15 or 6-30 psi; split ranges are available with optional positioner



#### KEY FEATURES

- Rolling diaphragm
- Standard bonnet port for use in lubricating the packing for added protection against leakage or for use as a detection port for monitoring potential fugitive emissions
- Tri-ply bellows provides added strength and enhanced performance
- Interchangeable trim sets
- Threaded bonnet for easy removal of the bellows assembly
- Bolted body/bonnet connection
- Optional side mounted or top mounted positioner

Consult factory if outlet pressure is above 250 psi (17 bar)

## MARK 708CR SERIES

### Extended Bonnet

#### DESCRIPTION & APPLICATION

The Mark 708CR for cryogenic service features a 9" bonnet extension (optional 14") that provides protection for the packing and actuator by preventing ice build-up, which can interfere with movement of the valve stem and affect valve performance. For cryogenic services with temperatures as low as -425°F (-254°C).

- Pilot plant installations
- R & D facilities
- Liquid CO<sub>2</sub>
- Hydrogen
- Nitrogen
- Low temperature applications

#### INDUSTRIES

- Aviation & aerospace
- Chemical, refining & petrochemical
- Oil & gas
- Process or industrial
- Test equipment & services

#### QUICK SPECIFICATIONS

<b>Seat Type</b>	Globe - Class IV
<b>Sizes</b>	1/4" - 3/4" (DN8 - DN20)
<b>End Connections</b>	Threaded, Socket Weld, Integral Tube, Welded Flange
<b>Body Materials</b>	Stainless Steel, Hastelloy C, Monel, Alloy 20, others
<b>Cv (Kv)</b>	0.05 to 4.0 (0,04 to 3,4)
<b>Ranges</b>	3-15 or 6-30 psi; split ranges are available with optional positioner



#### KEY FEATURES

- Protects the packing and actuator by preventing ice build-up which can interfere with stem movement
- Wide range of interchangeable trims
- TFE chevron ring packing
- Optional side mounted or top mounted positioner

## MARK 708DP SERIES

### Double Packing

#### DESCRIPTION & APPLICATION

An alternative to a bellows stem seal, it is used when standard packing will not adequately contain the controlled media. With a double packed bonnet, lubricant is pumped into the packing sets, providing a tight seal similar to bellows stem seal.

- Pilot plant installations
- Test stands
- R & D facilities
- Processing plants
- Specialized processing plants
- Government agencies
- Hazardous service

#### INDUSTRIES

- Chemical, refining & petrochemical
- Oil & gas
- Process or industrial
- Test equipment & services

#### QUICK SPECIFICATIONS

<b>Seat Type</b>	Globe - Class IV or VI
<b>Sizes</b>	1/4" - 3/4" (DN8 - DN20)
<b>End Connections</b>	Threaded, Socket Weld, Integral Tube Nuts, Welded Flange
<b>Body Materials</b>	Carbon Steel, Stainless Steel, Hastelloy C, Monel, Alloy 20, others
<b>Cv (Kv)</b>	0.00001 to 4.0 (0,000009 to 3,4)
<b>Ranges</b>	3-15 or 6-30 psi; split ranges are available with optional side-mounted positioner



#### KEY FEATURES

- Ideal for applications where service conditions can damage a bellows assembly
- Features standard bonnet port for use in lubricating the packing for added protection against leakage, or for use as a detection port for monitoring potential fugitive emissions
- Optional side mounted or top mounted positioner

## MARK 708HP SERIES

### High Pressure

#### DESCRIPTION & APPLICATION

An 8000 psi (552 bar) maximum inlet fractional flow control valve. This rugged, compact control valve is suitable for a variety of industrial and research applications. Linear and equal percentage flow characteristics are available with Cv's ranging from 0.05 (0,04 Kv) to 1.25 (1,1 Kv). In addition, it is available in a variety of end connections and optional materials of construction making it a versatile solution to your demanding valve requirements.

- Offshore chemical injection
- Hydrocarbon processing
- Chemical processing
- Other high pressure applications

#### INDUSTRIES

- Aviation & aerospace
- Chemical, refining & petrochemical
- Oil & gas
- Process or industrial
- Test equipment & service



#### QUICK SPECIFICATIONS

<b>Seat Type</b>	Globe - Class III or IV
<b>Sizes</b>	1/2" (DN15)
<b>End Connections</b>	Threaded (FNPT), Autoclave, Socket Weld, Integral Tube, Welded Flange
<b>Body Materials</b>	Carbon Steel, Stainless Steel, Hastelloy C, Monel, Alloy 20, others
<b>Cv (Kv)</b>	0.05 to 1.25 (0,04 to 1,1)
<b>Ranges</b>	3-15 or 6-30 psi; split ranges are available with optional top-mounted positioner

#### KEY FEATURES

- Union style body/bonnet connection - provides solid construction and secure connection
- Mechanically loaded PTFE Chevron heavy duty V ring packing
- Rolling diaphragm
- Guided trim
- Standard with side mount positioner
- Optional top mounted positioner

## MARK 708HPA SERIES

### High Pressure Angle

#### DESCRIPTION & APPLICATION

A 12,000 psi (827 bar) maximum inlet fractional flow control valve. Linear and equal percentage flow characteristics are available with Cv's ranging from 0.5 (0,04 Kv) to 1.25 (1,1 Kv). The Mark 708HPA is available in a variety of end connections and optional materials of construction making it a versatile solution to your most demanding valve requirements.

- High pressure industrial
- Research applications
- Offshore well system chemical injection

#### INDUSTRIES

- Aviation & aerospace
- Chemical, refining & petrochemical
- Oil & gas
- Process or industrial
- Test equipment & services

#### QUICK SPECIFICATIONS

<b>Seat Type</b>	Globe - Class III or IV
<b>Sizes</b>	1/2" (DN15)
<b>End Connections</b>	Threaded (FNPT), Autoclave AE, Socket Weld, Integral Tube Nuts
<b>Body Materials</b>	Stainless Steel, Monel, Alloy 20
<b>Cv (Kv)</b>	0.05 to 1.25 (0,04 to 1,1)
<b>Ranges</b>	3-15 or 6-30 psi; split ranges are available with optional top-mounted positioner



#### KEY FEATURES

- Union style body/bonnet connection - provides solid construction and secure connection
- The metal 'C' ring gasket provides excellent sealing without exposing the bonnet threads to the media
- Mechanically loaded PTFE Chevron heavy duty V ring packing - the adjustable packing arrangement maintains a proper compression, while minimizing excessive friction
- Rolling diaphragm - ensure that the effective diaphragm area remains relatively constant, regardless of valve stem position
- Standard with side positioner

## MARK 708HT SERIES

### Finned Bonnet

#### DESCRIPTION & APPLICATION

The cooling fin bonnet option is for the protection of the stem packing from elevated temperatures associated with steam, hot water, and high temperature oil, gas and liquid services (up to 1000°F; 538°C). The finned bonnet cools the area around the packing, which permits the use of standard packing materials that otherwise would not be suitable for the service temperature conditions.

- Pilot plant installations
- Test stands
- R & D facilities
- Processing Plants
- Specialized processing plants

#### INDUSTRIES

- Aviation & aerospace
- Chemical, refining & petrochemical
- Oil & gas
- Process or industrial
- Test equipment & service



#### QUICK SPECIFICATIONS

<b>Seat Type</b>	Globe - Class IV
<b>Sizes</b>	1/4" - 3/4" (DN8 - DN20)
<b>End Connections</b>	Threaded, Socket Weld*, Integral Tube, Welded Flange* (* 1/2" & 3/4" only)
<b>Body Materials</b>	Carbon Steel, Stainless Steel, Hastelloy C, Monel, Alloy 20, others
<b>Cv (Kv)</b>	0.05 to 4.0 (0,04 to 3,4)
<b>Ranges</b>	3-15 or 6-30 psi; split ranges are available with optional top-mounted positioner

#### KEY FEATURES

- For steam, hot water, and high temperature oil, gas and liquid service
- Provides cooling effect on bonnet, protecting the packing from higher than normal temperature conditions
- For precise control of higher temperature fractional flow services in pilot plant process applications

# CONTROL VALVES

## MARK 708ME SERIES

### Motor Valve

#### DESCRIPTION & APPLICATION

The Mark 708ME offers many advantages including extreme accuracy, high turndown ratios and repeatability. The features of this high resolution, low hysteresis digitally controlled motor valve makes the MK708ME a premier control valve for many applications.

- Chemical injection
- Dosing
- Pilot plants
- Research labs
- Skid builders

#### INDUSTRIES

- Aviation & aerospace
- Chemical, refining & petrochemical
- Oil & gas
- Process or industrial
- Test equipment & services

#### QUICK SPECIFICATIONS

<b>Seat Type</b>	Globe - Class IV or VI
<b>Sizes</b>	1/4" - 3/4" (DN8 - DN20)
<b>End Connections</b>	Threaded, Socket Weld, Integral Tube, Welded Flanged
<b>Body Materials</b>	Carbon Steel, Stainless Steel, Hastelloy C, Monel, Alloy 20, others
<b>Cv (Kv)</b>	0.00001 to 4.0 (0,000009 to 3,4)
<b>Ranges</b>	Current voltage command, on/off



#### KEY FEATURES

- Spring-loaded TFE/Chevron packing
- Bolted body/bonnet connection
- Guided trim
- Manual operation by stowable hand crank
- Output shaft with soft seating mechanism



## MARK 708MV SERIES

### Motor Valve

#### DESCRIPTION & APPLICATION

The Mark 708MV offers several advantages including extreme accuracy, high turndown ratios and repeatability. The MK708MV includes a switch-selectable power supply, a hand drive mechanism for manual operation, and a 4-20mA current input signal. Upon loss of input (not loss of power), the motor is designed to either lock in place, or fail to minimum input signal position.

- Chemical injection
- Dosing
- Pilot plants
- Research labs
- Skid builders

#### INDUSTRIES

- Aviation & aerospace
- Chemical, refining & petrochemical
- Oil & gas
- Process or industrial
- Test equipment & service



#### QUICK SPECIFICATIONS

<b>Seat Type</b>	Globe - Class IV or VI
<b>Sizes</b>	1/4" - 3/4" (DN8 - DN20)
<b>End Connections</b>	Threaded, Socket Weld, Integral Tube Ends, Welded Flanges
<b>Body Materials</b>	Carbon Steel, Stainless Steel, Hastelloy C, Monel, Alloy 20, others
<b>Cv (Kv)</b>	0.00001 to 4.0 (0.000009 to 3,4)
<b>Ranges</b>	Current voltage command, on/off

#### KEY FEATURES

- Manual operation by hand knob
- Output shaft with soft seating mechanism
- 4-20mA position feedback possible with standard motor
- No external power source is needed for feedback
- Unrestricted modulating duty
- Spring-loaded TFE/Chevron packing
- Bolted body/bonnet connection
- Guided trim

## MARK 709 SERIES

### Three Way

#### DESCRIPTION & APPLICATION

The Mark 709 is a lightweight control valve for use as a mixing valve in low flow process applications. Featuring a three-way body design, it is constructed with two inlets to blend two separate flow streams into a common outlet, creating a third fluid.

- Mixing
- Bypass
- Chemical injection
- Dosing
- Pilot plants
- Research labs

#### INDUSTRIES

- Aviation & aerospace
- Chemical, refining & petrochemical
- Oil & gas
- Process or industrial
- Test equipment & services

#### QUICK SPECIFICATIONS

<b>Seat Type</b>	Globe - Class IV or VI
<b>Sizes</b>	1/2" & 3/4" (DN15 & DN20)
<b>End Connections</b>	Threaded, Socket Weld, Integral Tube, Welded Flange
<b>Body Materials</b>	Carbon Steel, Stainless Steel, Hastelloy C, Monel, Alloy 20, others
<b>Cv (Kv)</b>	1.25 to 4.0 (1,1 to 3,4)
<b>Ranges</b>	3-15 or 6-30 psi; split ranges are available with optional top-mounted positioner



#### KEY FEATURES

- For low flow process applications requiring a three way body for mixing two separate flow sources into one common line
- Compact, lightweight design for precise control
- Multiple spring actuators in a choice of sizes for differential pressures up to 1460 psi (100 bar)

# HEAVY DUTY CONTROL VALVES

The MK8000 Series is our line of heavy-duty control valves designed for process applications requiring full or fractional flow. The MK8000 series is available in line sizes 1/2" - 2" (DN15 - DN50), with CVs ranging from 0.05-17 (KV's ranging from 0,04 to 14,5), and can operate in temperatures as low as -425°F (-254°C). The MK8000 is manufactured in multiple configurations to suit your application, be it with a cryogenic bonnet for low temperature applications, with a T configuration for mixing, or a Bellow Stem Seal for hazardous/lethal service.

The MK8000 Series valve sub-assembly is manufactured completely from barstock, providing flexibility for the materials of construction. The MK8000 Series is routinely manufactured in exotic alloys such as Alloy 20, Hastelloy, Monel, Inconel, Zirconium, Titanium, as well as in plastics, such as Kynar, PVC, and CPVC.

## MARK 8000 SERIES

### Heavy Duty

#### DESCRIPTION & APPLICATION

The Mark 8000 Series is a group of heavy duty control valves specifically designed for process applications requiring full flow or fractional flow control. Available with a wide selection of body sizes and styles, this valve can be configured in 2-way or 3-way designs, for diverting or mixing service, and with globe or angle valve style seats.

- Corrosive or harsh process environments
- Test stands
- R & D facilities
- Processing plants
- Specializing processing plants (dosing, injection and venting)

#### INDUSTRIES

- Aviation & aerospace
- Chemical, refining & petrochemical
- Oil & gas
- Process or industrial
- Test equipment & services

#### QUICK SPECIFICATIONS

<b>Seat Type</b>	Globe or Angle - Class III, IV or VI
<b>Sizes</b>	1/2" - 2" (DN15 - DN50)
<b>End Connections</b>	NPT, BSPT, Raised-face Flanges (ANSI, DIN, JIS), Ring Type Joint Flanges, Socket Weld, Bolt-thru Flanged
<b>Body Materials</b>	Carbon, Steel, Stainless Steel, Brass, Monel, Hastelloy C, Alloy 20, Stellite, Kynar, PVC
<b>Cv (Kv)</b>	0.05 to 17 (0,04 to 14,5)
<b>Ranges</b>	3-15 or 6-30 psi; split ranges are available with optional positioner



#### KEY FEATURES

- Totally enclosed multi-spring actuator which minimizes deadband and is field reversible
- Wide range of positioners and actuators
- Heavy-duty barstock construction for pressures up to 6000 psi (414 bar)
- Available in Kynar, PVC and CPVC
- Specialty alloys are readily available
- In-line design to 2" (DN50); angle pattern up to 1" (DN25)
- In-line maintainable for quick, easy trim repairs

## MARK 800BS SERIES

### Bellows Stem Seal

#### DESCRIPTION & APPLICATION

Bellows stem seals eliminate fugitive emissions by surrounding the valve stem with a pressure-tight barrier, isolating the stem from the process fluid and preventing leakage to the atmosphere. For an extra measure of protection, the bellows stem seal option provides a back-up seal of Teflon, braided or Graphite/Grafoil packing.

- Pilot plant installations
- Test stands
- R & D facilities
- Processing plants
- Hazardous service
- Fugitive emissions

#### INDUSTRIES

- Aviation & aerospace
- Chemical, refining & petrochemical
- Oil & gas
- Process or industrial
- Test equipment & services



#### QUICK SPECIFICATIONS

<b>Seat Type</b>	Globe or Angle - Class III, IV or VI
<b>Sizes</b>	1/2" - 1-1/4" (DN15 - DN32)
<b>End Connections</b>	NPT, BSPT, Raised-face Flanges (ANSI, DIN, JIS), Ring Type Joint Flanges, Socket Weld, Bolt-thru Flanged
<b>Body Materials</b>	Carbon Steel, Stainless Steel, Brass, Monel, Hastelloy B & C, Alloy 20, Kynar, PVC
<b>Cv (Kv)</b>	0.05 to 7.1 (0,04 to 6,2)
<b>Ranges</b>	3-15 or 6-30 psi; split ranges are available with optional positioner

#### KEY FEATURES

- Barstock, not cast, construction to avoid potential porosity issues
- Available in Kynar, PVC and CPVC
- Full compliance with most stringent requirements of the Clean Air Act
- Secondary packing chamber with a bellows leak monitoring port for additional security
- Two-piece stem allows stem adjustment without breaking the bellows bonnet extension seal

## MARK 8000CR SERIES

### Cryogenic Option

#### DESCRIPTION & APPLICATION

The extended option offers an 8" bonnet extension that provides protection for the packing and actuator by preventing the formation and build-up of ice, which can interfere with movement of the valve stem and affect valve performance and control. This model is for use on cryogenic service with temperatures as low as -425°F (-254°C).

- Cryogenic
- Liquified gases
- Liquid CO<sub>2</sub>
- Hydrogen
- Nitrogen
- Low temperature applications

#### INDUSTRIES

- Aviation & aerospace
- Chemical, refining & petrochemical
- Oil & gas
- Process or industrial
- Test equipment & services

#### QUICK SPECIFICATIONS

<b>Seat Type</b>	Globe - Class III or IV
<b>Sizes</b>	1/2" - 2" (DN15 - DN50)
<b>End Connections</b>	NPT, BSPT, Raised-face Flanges (ANSI, DIN, JIS), Ring Type Joint Flanges, Socket Weld, Bolt-thru Flanged
<b>Body Materials</b>	Carbon Steel, Stainless Steel, Brass, Monel, Hastelloy C, Alloy 20, Stellite
<b>Cv (Kv)</b>	0.05 to 17 (0,043 to 14,6)
<b>Ranges</b>	3-15 or 6-30 psi; split ranges are available with optional positioner



#### KEY FEATURES

- Extended bonnet protects the packing and actuator by preventing ice build-up, which can interfere with stem movement and/or damage packing
- For services as low as -425°F (-254°C)
- Barstock construction eliminates possible porosity concerns

## MARK 8000T SERIES

### Three-Way

#### DESCRIPTION & APPLICATION

The three-way 8000T can be specified for use on mixing or diverting services. As a mixing valve, it is designed with two inlets to blend two separate flow streams into a common outlet creating a third fluid. For diverting service, the valve features one inlet and two outlets, allowing you to divert the flow from one outlet to the other as required to bypass heat exchangers, coolers filters, or other pieces of process equipment.

- Diverting service
- Mixing service

#### INDUSTRIES

- Aviation & aerospace
- Chemical, refining & petrochemical
- Oil & gas
- Process or industrial
- Test equipment & services

#### QUICK SPECIFICATIONS

<b>Seat Type</b>	Globe - Class III, IV or VI
<b>Sizes</b>	1/2" - 1" (DN15 - DN25)
<b>End Connections</b>	Threaded, Socket Weld, Flanged
<b>Body Materials</b>	Carbon Steel, Stainless Steel, Brass, Hastelloy, others
<b>Cv (Kv)</b>	0.2 to 6.0 (0,17 to 5,1)
<b>Ranges</b>	3-15 or 6-30 psi; split ranges are available with optional positioner



#### KEY FEATURES

- Mixing two separate flow sources into one common line; diverging a single flow path into two separate streams, or used as a bypass to divert flow from one outlet to another
- For three way industrial process applications requiring durable construction and precision control of standard or low flows
- Field reversible without the use of special tools or extra parts

# **PRESSURE & BACK PRESSURE REGULATING VALVES**







The LowFlow J-Series is our line of high pressure regulators used for handling high pressure and low flow applications. The J-Series line consists of pressure reducing valves (PRVs), back pressure reducing valves (BPRVs), and Dome Loaded valves. These products are typically used in research and sampling systems for general, corrosive and specialty gas, and liquid service. The J-Series spans line sizes from 1/4" - 3/4" (DN8 - DN20). The J-Series can handle inlet pressures up to 9,135 psi (630 bar) and offers both piston sensed regulation for high pressure applications, as well as diaphragm sensing for low pressure/high sensitivity applications.

## COMMON APPLICATIONS

- Gas compression
- Gas chromatography
- Natural gas treatment systems
- Test benches
- Conductivity analyzers
- Gas analyzers
- Sparging
- Tank blanketing

# JORLON DIAPHRAGM

## WHAT IS JORLON™?

Jorlon™ is structurally modified pure PTFE. It is manufactured by a proprietary technique where PTFE layers are combined and formed in a unique process to reduce the creep and cold flow associated with conventionally formed solid, or laminated PTFE or Teflon.

LowFlow Valve warrants the Jorlon™ diaphragm on the:

- JR Series
- JB Series
- JRH Series
- JRHF Series
- JRLL Series
- JRHL Series



for a lifetime of use on all clean utility or process applications at continuous operating pressures, temperature and conditions as specified in each model's data sheet

## Physical Properties of Jorlon

Color	Clear, translucent	
Composition	PTFE	
Temperature	Min/Max	Min -350°F (-212°C) to Max 500°F (260°C)
Creep relaxation (ASTM F38)	%	35
Specific Gravity (D792)	2.19	
Compressibility (ASTM F36)	% Range	20 - 25
Recovery (ASTM F36)	Min. %	50
Tensile Strength (ASTM D1708)		
X Direction	psi (N/mm <sup>2</sup> )	5000 (35)
Y Direction	psi (N/mm <sup>2</sup> )	5100 (36)
Ultimate Elongation (ASTM D1708)		
X Direction	%	500
Y Direction	%	520
Gas Permeability (ASTM D1434V)	Cc/M <sup>2</sup> /24 hrs	10,000
Flammability	Will not burn	

### Jorlon™ Material

Jorlon™ has been used by LowFlow for over 9 years. To date, not one valve has been returned due to diaphragm failure when operating within its use parameters. Jorlon has been nitrogen pressure tested to over 1200 psi (83 bar) without failure.



## Product Applications

Jorlon has extremely long life cycles. It provides superior accuracy, while maintaining excellent pressure/temperature and chemical capabilities

## Improved Performance

Stainless Steel diaphragms are rigid by nature, thus have decreased sensitivity. The Jorlon material approaches the droop performance seen in true elastomer diaphragms resulting in greater set point accuracy

## Cycle Testing

Jorlon™ has been tested on a variety of LowFlow regulators on 45 psig (3 bar) continuous steam service to over 1 million full stroke cycles.

## Lab Testing

Lab tests comparing Jorlon™ to 316L diaphragms have shown continued life after exceeding the SST failure cycle count by more than 100 times

# PRESSURE REGULATING VALVES

## J SERIES

### Quick Specification

Series	Type	Size Range	Cv (Kv)
JB	High pressure BPRV	1/4", 3/8" & 1/2"	0.05, - 0.35 (0,04 - 0,30)
JBDL	Medium pressure BPRV	1/2"	1.95 (1,69 )
JBPH	Piston-sensed high pressure BPRV	1/2", 3/4" & 1"	0.5 (0,43)
JR	High pressure PRV	1/4", 3/8" & 1/2"	0.012 - 0.20 (0,01 - 0,17)
JRDL	Diaphragm operated PRV	1/2", 3/4" & 1"	1.7 (1,46)
JRH	High pressure PRV	3/8" & 1/2"	0.08 (0,69)
JRHF	Low pressure PRV	1/2", 3/4" & 1"	1/2": 1.5 (1,3); 3/4" - 1": 1.9 (1,6)
JRHL	Low pressure PRV	1/2" & 3/4"	0.8 (0,7) & 0.5 (0,43)
JRLL	Low pressure PRV	1/4", 3/8" & 1/2"	0.012 - 0.20 (0,01 - 0,17)
JRPH/JRPL (1/4")	Piston-sensed high pressure PRV	1/4"	0.012- 0.2 (0,01, - 0,17)
JRPH/JRPL	Piston-sensed high pressure PRV	1/2" 3/4" & 1"	2.1 (1,8)
5800	Piston-sensed high pressure BPRV	1/2", 3/4" & 1"	1.0 (0,9)
5850	Piston-sensed high pressure BPRV	1/2"	0.4 (0,34)
6800	Piston-sensed high pressure PRV	1/2" 3/4", & 1"	0.5, 1.0, 2.5 (0,4; 0,86; 2,1)

Series	Setpoints	Shutoff Class	Feature/Option
JB	up to 750 psi (52 bar)	Class VI	Panel mount & captured vents options
JBDL	up to 400 psi (28 bar)	Class VI	High flow with inlet pressures to 1200 psi
JBPH	up to 5800 psi (400 bar)	Class VI	Inlet pressure to 6000 psi
JR	up to 750 psi (52 bar)	Class VI	Jorlon diaphragm
JRDL	up to 400 psi (28 bar)	Class VI	Very high pressures and very low flows.
JRH	2 - 10 psi (0,14 - 0,69 bar) to 75 - 450 psi (5,2 - 31 bar)	Class VI	Barstock design
JRHF	up to 150 psi (10 bar)	Class VI	Inline removable seat
JRHL	up to 50 psi (3,45 bar)	Class VI	Large diaphragm, increased stability at low setpoints
JRLL	1 - 75 psi (0,7 - 5,2 bar) and 25 - 100 psi (1,7 - 6,9 bar)	Class VI	Large diaphragm, increased stability at low setpoints
JRPH/JRPL (1/4")	up to 9135 psi (630 bar)	Class VI	Inlet pressures to 10000 psi
JRPH/JRPL	up to 5800 psi (400 bar)	Class VI	Piston sensing for better regulation at higher pressures
5800	400 - 5000 psi (27,6 - 345 bar)	Class VI	High flow in a compact design
5850	800 - 5000 psi (55 - 345 bar)	Class VI	High flow in a compact design
6800	250 - 3000 psi (17,2 - 207 bar)	Class III, IV, V, VI	Barstock construction

## JR SERIES

High Pressure / Low Flows

### DESCRIPTION & APPLICATION

The LowFlow JR Series line of high pressure regulators have the ability to handle very high pressures and very low flows. USDA and FDA approved soft goods available upon request.

- Research and sampling systems
- General, corrosive and specialty gas and liquid services (non-cavitating)

### INDUSTRIES

- Research & sampling systems
- General, corrosive & specialty gas and liquid service
- Gas chromatography
- Flame ionization defectors
- Industrial controls

### QUICK SPECIFICATIONS

<b>Seat Type</b>	PTFE, PEEK, KEL-F
<b>Sizes</b>	1/4", 3/8", 1/2" (DN8, DN10, DN15)
<b>End Connections</b>	Threaded, Socket Weld, Flanged, Others
<b>Body Materials</b>	316L Stainless Steel, Hastelloy C, Monel, Alloy 20, others
<b>Cv (Kv)</b>	0.012, 0.03, 0.08, 0.20 (0,01, 0,026, 0,07, 0,17)
<b>Spring Range</b>	up to 750 psi (52 bar)



### KEY FEATURES

- Top entry design facilitates in-line cleaning and maintenance
- Barstock construction guarantees material integrity and surface finish
- High flow rate coupled with high rangeability reduces need for reduced trim sizes
- Optimized internal volume
- Jorlon diaphragm material provides exceptionally long life
- Soft seat material for ANSI Class VI shutoff

# PRESSURE REGULATING VALVES

## JRDL Series

### Diaphragm Operated

#### DESCRIPTION & APPLICATION

The LowFlow JRDL Series line of diaphragm sensed, high pressure regulators have the ability to handle very high pressures and very low flows. USDA and FDA approved soft goods available upon request.

- High pressure gas
- Liquid pump systems control
- Water seal regulation
- Hyperbaric chambers
- Air compressors
- Pressurized ballast tanks
- Gas transfer systems
- Gas chromatography
- Flame ionization

#### INDUSTRIES

- Research and development
- Gas cabinets
- High pressure gas systems
- Injection molding



#### QUICK SPECIFICATIONS

<b>Seat Type</b>	Buna-N, EPDM, Viton
<b>Sizes</b>	1/2", 3/4", 1" (DN15, DN20, DN25)
<b>End Connections</b>	Threaded, Socket Weld, Flanged, Others
<b>Body Materials</b>	316L Stainless Steel, Hastelloy C, Monel, Alloy 20, others
<b>Cv (Kv)</b>	1.7 (1,46)
<b>Spring Range</b>	0 - 50 psi (0,0 - 3,4 bar); 0 - 100 psi (0 - 6,9 bar); 0 - 200 psi (0 - 13,8 bar); 0 - 400 psi (0 - 28 bar)

#### KEY FEATURES

- Ability to reduce high inlet pressures from 1-400 psig (0 to 27,6 bar) in one valve
- Provides superior sensitivity in pressure regulation to the piston operated JRPL, and has a Cv that's nearly 10x greater than the 0.2 Cv in the JR Series
- Barstock construction guarantees material integrity and surface finish
- High flow rate coupled with high rangeability reduces need for reduced trim sizes
- Optimized internal volume
- Soft seat material for ANSI Class VI shutoff

## JRH SERIES

Very High Pressure / Low Flow

### DESCRIPTION & APPLICATION

The LowFlow JRH Series of high pressure regulators has the ability to handle high pressures as well as low flows. USDA and FDA approved soft goods available upon request.

- Research and sampling systems
- General, corrosive and specialty gas and liquid services

### INDUSTRIES

- Gas chromatography
- Flame ionization detectors
- Industrial controls



### QUICK SPECIFICATIONS

<b>Seat Type</b>	KEL-F / Viton
<b>Sizes</b>	3/8" & 1/2" (DN10 & DN15)
<b>End Connections</b>	Threaded, Socket Weld, Flanged, Others
<b>Body Materials</b>	316L Stainless Steel, Hastelloy C, Monel, Alloy 20, others
<b>Cv (Kv)</b>	0.08 (0,69)
<b>Spring Range</b>	2 - 10 psi (0,14 - 0,69 bar) to 75 - 450 psi (5,2 - 31 bar)

### KEY FEATURES

- Top entry design facilitates in-line cleaning and maintenance
- Barstock construction guarantees material integrity and surface finish
- High flow rate coupled with high rangeability reduces need for reduced trim sizes
- Optimized internal volume
- Jorlon diaphragm material provides exceptionally long life
- KEL-F soft seat material for ANSI Class VI shutoff

# PRESSURE REGULATING VALVES

## JRHF SERIES

### High Flows

#### DESCRIPTION & APPLICATION

The JRHF Series is a diaphragm operated, balanced trim pressure regulator. The choice between 1.5 and 1.9 Cv (1,3 and 1,6 Kv) offers increased flows across the JRHF's 230 psi (15,8 bar) inlet range, while the PTFE soft seat provides ANSI Class VI shutoff. Four set spring ranges and three soft seal options offer the customer flexibility in a number of applications and environments. These valves are designed to regulate a variety of gases and liquids in applications where high flows and low control pressures are required. USDA and FDA approved soft goods available upon request.

- Gas and liquid applications where high flows and low control pressures are required

#### INDUSTRIES

- Research and development
- Gas cabinets
- High pressure gas systems
- Injection molding

#### QUICK SPECIFICATIONS

<b>Seat Type</b>	PTFE, PEEK
<b>Sizes</b>	1/2", 3/4", 1" (DN15, DN20, DN25)
<b>End Connections</b>	Threaded, Socket Weld, Flanged, Others
<b>Body Materials</b>	316L Stainless Steel, Hastelloy C, Monel, Alloy 20, others
<b>Cv (Kv)</b>	1/2": 1.5 (1,3) 3/4" - 1": 1.9 (1,6)
<b>Spring Range</b>	up to 150 psi (10 bar)



#### KEY FEATURES

- Top entry design facilitates in-line cleaning and maintenance
- Barstock construction guarantees material integrity and quality surface finish
- Balanced trim offers high flows with minimal lockup
- Optimized internal volume
- Jorlon diaphragm material provides exceptionally long life
- PTFE or PEEK soft seat for ANSI Class VI shutoff



## JRHL SERIES

Low Set Pressure / Very Low Flows

### DESCRIPTION & APPLICATION

The LowFlow JRHL Series is a line of low flow pressure regulators that have the ability to handle low set pressures and very low flows with less offset than valves with small diaphragms. The durable valve body and metal trim components are machined from 316L SST barstock. The valve is outfitted with the rugged Jorlon diaphragm and Teflon, PEEK or EPDM seats for ANSI Class VI shutoff. USDA and FDA approved soft goods available upon request.

- Continuous clean stem
- Non-cavitating liquids
- Sparging
- Tank blanketing

### INDUSTRIES

- Production facilities and equipment which require gas flow regulation



### QUICK SPECIFICATIONS

<b>Seat Type</b>	PTFE, PEEK, EPDM
<b>Sizes</b>	1/2" & 3/4" (DN15 & DN20)
<b>End Connections</b>	Threaded, Socket Weld, Flanged, Others
<b>Body Materials</b>	ASTM A479 316L SST, others
<b>Cv (Kv)</b>	0.5 (0,43) & 0.8 (0,7)
<b>Spring Range</b>	up to 50 psi (3,45 bar)

### KEY FEATURES

- In-line removable seat and trim facilitates in-line cleaning and maintenance
- Barstock construction guarantees material integrity and quality surface finish
- Two Cv offerings of 0.8 (0,7 Kv) and 0.5 (0,43 Kv) and four spring ranges guarantees a valve that will fit your application
- Optimized internal volume
- Proprietary Jorlon diaphragm material provides exceptionally long life
- Soft seat material for ANSI Class VI shutoff

# PRESSURE REGULATING VALVES

## JRLL SERIES

### Low Set Pressure / Very Low Flows

#### DESCRIPTION & APPLICATION

The LowFlow JRLL Series are low flow regulators designed and built specifically for very low pressure applications. The durable valve body and metal trim components are machined from 316L SST barstock. The valve is outfitted with a sensitive PTFE Jorlon diaphragm for accurate low pressure sensing and Teflon, PEEK, KEL-F and EPDM seats for ANSI Class VI shutoff. USDA and FDA approved soft goods available upon request.

- Ideal for low pressure regulation of gases
- Sparging
- Tank blanketing

#### INDUSTRIES

- Research and development
- Gas cabinets
- High pressure gas systems
- Injection molding



#### QUICK SPECIFICATIONS

<b>Seat Type</b>	PTFE, PEEK, KEL-F
<b>Sizes</b>	1/4", 3/8", 1/2" (DN8, DN10, DN15)
<b>End Connections</b>	Threaded, Socket Weld, Flanged, Others
<b>Body Materials</b>	ASTM A479 316L SST, others
<b>Cv (Kv)</b>	0.012, 0.03, 0.08, 0.20 (0,01, 0,026, 0,07, 0,17)
<b>Spring Range</b>	1 - 75 psi (0,7 - 5,2 bar) and 25 - 100 psi (1,7 - 6,9 bar)

#### KEY FEATURES

- Stable outlet pressure setpoints at very low pressure
- Very low set point offset (droop) especially at higher inlet pressures
- Top entry design facilitates in-line cleaning and maintenance
- Barstock construction guarantees material integrity and quality surface finish
- Jorlon diaphragm material provides exceptionally long life

## JRPH / JRPL SERIES (1/4")

Piston Operated

### DESCRIPTION & APPLICATION

The 1/4" LowFlow JRPH Series and JRPL Series are piston operated pressure regulators that offer excellent control at Cv's of 0.20 (0,17 Kv) and lower. There are six set ranges for the JRPH Series and two set ranges for the JRPL Series. Elastomer seals are used throughout with Buna-N, EPDM and Viton being standard options. USDA and FDA approved soft goods available upon request.

- General, corrosive and specialty gases, water, acids and oils
- High pressure applications

### INDUSTRIES

- Gas chromatography
- Flame ionization detectors
- Industrial controls



### QUICK SPECIFICATIONS

<b>Seat Type</b>	KEL-F, PEEK
<b>Sizes</b>	1/4" (DN8)
<b>End Connections</b>	Threaded, Socket Weld, Flanged, Others
<b>Body Materials</b>	316L Stainless Steel, Hastelloy C, Monel, Alloy 20, others
<b>Cv (Kv)</b>	0.012, 0.03, 0.07, 0.2 (0,01, 0,026, 0,06, 0,17)
<b>Spring Range</b>	up to 9135 psi (630 bar)

### KEY FEATURES

- All wetted materials are 316L Stainless Steel. Other materials available upon application
- Soft PEEK, PTFE or KEL-F seat provides ANSI Class VI shutoff
- Piston sensing for better regulation at higher pressures
- ANSI Class VI shutoff
  - JRPL: PEEK, PTFE, or KEL-F
  - JRPH: PEEK or KEL-F
  - Contact factory for additional options

# PRESSURE REGULATING VALVES

## JRPH/JRPL SERIES

### Piston Operated

#### DESCRIPTION & APPLICATION

The LowFlow JRPH & JRPL Series are piston operated, balanced trim pressure regulators with high Cvs and KEL-F soft seat for ANSI Class VI shutoff. There are three set ranges for each model. Elastomer seals are used throughout with Buna-N, EPDM and Viton being standard options, along with matching back up seals. USDA and FDA approved soft goods available upon request.

- A variety of gases, water, acids and oil applications
- Fuel cells

#### INDUSTRIES

- Research and development
- Gas cabinets
- High pressure gas systems
- Injection molding



#### QUICK SPECIFICATIONS

<b>Seat Type</b>	KEL-F
<b>Sizes</b>	1/2", 3/4", 1" (DN15, DN20, DN25)
<b>End Connections</b>	Threaded, Socket Weld, Flanged, Others
<b>Body Materials</b>	316L Stainless Steel, Hastelloy C, Monel, Alloy 20, others
<b>Cv (Kv)</b>	2.1 (1,8)
<b>Spring Range</b>	up to 5800 psi (up to 400 bar)

#### KEY FEATURES

- All wetted materials are 316L Stainless Steel. Other materials available upon application
- Soft KEL-F seat provides ANSI Class VI shutoff
- Piston sensing for better regulation at higher pressures
- Balanced trim design allows for higher flows

## JR-A SERIES

### Air Loaded

#### DESCRIPTION & APPLICATION

The JR-A Series is an air loaded version of the JR Series valve. USDA and FDA approved soft goods available upon request.

- Research and sampling systems
- General, corrosive and specialty gas services
- Non-cavitating liquids

#### INDUSTRIES

- Gas chromatography
- Flame ionization detectors
- Industrial controls



#### QUICK SPECIFICATIONS

<b>Seat Type</b>	PTFE, PEEK
<b>Sizes</b>	1/4", 3/8", 1/2" (DN8, DN10, DN15)
<b>End Connections</b>	Threaded, Socket Weld
<b>Body Materials</b>	316L Stainless Steel, Hastelloy C, Monel, Alloy 20, others
<b>Cv (Kv)</b>	0.012, 0.08, 0.20 (0,01, 0,07, 0,17)
<b>Spring Range</b>	up to 750 psi (52 bar)

#### KEY FEATURES

- Top entry design facilitates in-line cleaning and maintenance
- Barstock construction guarantees material integrity and surface finish
- High flow rate coupled with high rangeability reduces need for reduced trim sizes
- Optimized internal volume
- Proprietary Jorlon diaphragm material provides exceptionally long life
- Sot seat material for ANSI Class VI shutoff

# PRESSURE REGULATING VALVES

## MK6800HP SERIES

### High Pressure Regulating

#### DESCRIPTION & APPLICATION

The Mark 6800HP Series is a self-operated pressure regulating valve for use on high pressure industrial gas and liquid services to 4000 psi (276 bar). The MK6800HP features exceptional accuracy with high flow capacities and simple in-line maintainability. For durability and dependable service, the 1/2" - 1" valves are constructed of total barstock, with all stainless steel components. Valve plugs are available with either hard or soft seats and balanced trim is available with either seat type. USDA and FDA approved soft goods available upon request.

- Gas and liquid services (non-cavitating)

#### INDUSTRIES

- High pressure gas service
- High pressure non-cavitating liquid service



#### QUICK SPECIFICATIONS

<b>Seat Type</b>	Stellite, Vespel, Teflon
<b>Sizes</b>	1/2", 3/4", 1" (DN15, DN20, DN25)
<b>End Connections</b>	Threaded, Socket Weld, Flanged, Others
<b>Body Materials</b>	316L Stainless Steel, Hastelloy C, Monel, Alloy 20, others
<b>Cv (Kv)</b>	0.5, 1.0, 2.5 (0,4; 0,86; 2,1)
<b>Spring Range</b>	250 - 3000 psi (17,2 - 207 bar)

#### KEY FEATURES

- Heavy duty construction - barstock body, Stellite trim and high-strain bolting ensuring integrity of pressure containing parts
- Optimized trim design - various piston sizes, spring selections and balanced trim combine to provide excellent performance across a wide range of operating conditions
- Tight shutoff - ANSI Class III, Class IV or Class VI shut-off available
- High pressure - inlet pressure up to 4000 psi (276 bar) with setpoints as high as 3000 psi (207 bar)
- High flows

## JB Series

### Gas Back Pressure

#### DESCRIPTION & APPLICATION

The LowFlow JB Series line of back pressure regulators have the ability to handle very high pressures and very low flows. USDA and FDA approved soft goods available upon request.

- Research and sampling systems for corrosive and specialty gases
- Gas chromatography
- Flame ionization detectors
- Industrial controls

#### INDUSTRIES

- Gas chromatography
- Flame ionization detectors
- Industrial controls



#### QUICK SPECIFICATIONS

<b>Seat Type</b>	PEEK, KEL-F
<b>Sizes</b>	1/4", 3/8", 1/2" (DN8, DN10, DN15)
<b>End Connections</b>	Threaded, Socket Weld, Flanged, Others
<b>Body Materials</b>	316L Stainless Steel, Hastelloy C, Monel, Alloy 20, others
<b>Cv (Kv)</b>	0.05, 0.15, 0.25, 0.35 (0,04; 0,13; 0,22; 0,30)
<b>Spring Range</b>	up to 750 psi (up to 52 bar)

#### KEY FEATURES

- Top entry design facilitates in-line cleaning and maintenance
- Barstock construction guarantees material integrity and surface finish
- High flow rate coupled with high rangeability reduces need for reduced trim sizes
- Optimized internal volume
- Jorlon diaphragm material provides exceptionally long life
- Soft seat material for ANSI Class VI shutoff

# BACK PRESSURE REGULATING VALVES

## JBDL SERIES

### High Cv Diaphragm

#### DESCRIPTION & APPLICATION

The JBDL Series is a diaphragm operated, balanced trim, back pressure regulator. The 1.95 Cv (1,69 Kv) offers increased flows across its 1200 psi (83 bar) inlet range, while the KEL-F soft seat provides ANSI Class VI shutoff. Five set spring ranges and three soft seal options offer the customer flexibility in a number of applications and environments. USDA and FDA approved soft goods available upon request.

- Regulate a variety of gases and liquids in compressor control
- Process pressure control where high flows and low pressures are required

#### INDUSTRIES

- Gas chromatography
- Flame ionization detectors
- Industrial controls



#### QUICK SPECIFICATIONS

<b>Seat Type</b>	KEL-F
<b>Sizes</b>	1/2" (DN15)
<b>End Connections</b>	Threaded, Socket Weld, Flanged, Others
<b>Body Materials</b>	316L Stainless Steel, Hastelloy C, Monel, Alloy 20, others
<b>Cv (Kv)</b>	1.95 (1,69 )
<b>Spring Range</b>	up to 400 psi (up to 28 bar)

#### KEY FEATURES

- In-line removable plug and trim provides for quick cleaning and maintenance
- Barstock construction guarantees material integrity and surface finish
- Balanced trim offers high flows with minimal lockup
- Optimized internal volume
- KEL-F soft seat for ANSI Class VI shutoff



## JBPH Series

### Piston Sensed

#### DESCRIPTION & APPLICATION

The JBPH Series is a piston operated back pressure regulator. The 0.5 Cv (0,43 Kv) offers increased flows across its 6000 psi (414 bar) inlet range, while the KEL-F soft seat provides ANSI Class VI shutoff. USDA and FDA approved soft goods available upon request.

- Research and sampling systems for corrosive and specialty gases
- Gas chromatography
- Flame ionization detectors
- Industrial controls

#### INDUSTRIES

- Gas chromatography
- Flame ionization detectors
- Industrial controls

#### QUICK SPECIFICATIONS

<b>Seat Type</b>	KEL-F
<b>Sizes</b>	1/2", 3/4", 1" (DN15, DN20, DN25)
<b>End Connections</b>	Threaded, Socket Weld, Flanged, Others
<b>Body Materials</b>	316L Stainless Steel, Hastelloy C, Monel, Alloy 20, others
<b>Cv (Kv)</b>	0.5 (0,43)
<b>Spring Range</b>	up to 5800 psi (up to 400 bar)



#### KEY FEATURES

- In-line removable plug and trim provides for quick cleaning and maintenance
- All wetted materials are 316L/316 dual certified Stainless Steel; other materials available on application
- Large 0.5 Cv (0,43 Kv) offers high flows with setpoints up to 5800 psi (up to 400 bar)
- Optimized internal volume
- KEL-F soft seal for ANSI Class VI shutoff
- Captured vent to monitor seal integrity

# BACK PRESSURE REGULATING VALVES

## Mark 5800HP Series

### High Pressure

#### DESCRIPTION & APPLICATION

The Mark 5800HP Series is a high pressure, back pressure regulator designed to maintain upstream pressure of gases and liquids. As a compact, lightweight product, it is well suited for applications where space and weight are at a premium. The T-bar adjusting handle allows for a lighter spring and more sensitive regulator than models with a fixed knob. USDA and FDA approved soft goods available upon request.

- Higher pressure vessel venting
- High pressure injection applications
- Gas/liquid sampling stations
- Compressor skids
- Test standards

#### INDUSTRIES

- Gas chromatography
- Flame ionization detectors
- Industrial controls

#### QUICK SPECIFICATIONS

<b>Seat Type</b>	Teflon (standard), PEEK, Delrin
<b>Sizes</b>	1/2", 3/4", 1" (DN15, DN20, DN25)
<b>End Connections</b>	Threaded, Socket Weld, Flanged
<b>Body Materials</b>	316L Stainless Steel, Hastelloy C, Monel, Alloy 20, others
<b>Cv (Kv)</b>	1.0 (0,9)
<b>Spring Range</b>	400 - 5000 psi (27,6 - 345 bar)



#### KEY FEATURES

- Complete barstock construction - ensures body/trim material quality and facilitates usage of alloy materials
- Full pressure rating across entire temperature range - maximum setpoints available at maximum pressures
- Proof-tested to 12,000 psi (827 bar) - nearly five times pressure rating, ensures safety when working with high pressures

## Mark 5850HP Series

### High Pressure

#### DESCRIPTION & APPLICATION

The Mark 5850HP Series is a high pressure, back pressure regulator designed to maintain upstream pressure of gases and liquids. With a robust piston design, it can handle setpoints up to 5000 psig (345 bar) at 450°F (232°C) with ease. USDA and FDA approved soft goods available upon request.

- High pressure vessel venting
- High pressure injection applications
- Gas/liquid sampling stations
- Compressor skids
- Test standards

#### INDUSTRIES

- Gas chromatography
- Flame ionization detectors
- Industrial controls



#### QUICK SPECIFICATIONS

<b>Seat Type</b>	Teflon
<b>Sizes</b>	1/2" (DN15)
<b>End Connections</b>	Threaded, Socket Weld, Flanged, Others
<b>Body Materials</b>	316L Stainless Steel, Hastelloy C, Monel, Alloy 20, others
<b>Cv (Kv)</b>	0.4 (0,34)
<b>Spring Range</b>	800 - 5000 psi (55 - 345 bar)

#### KEY FEATURES

- Complete barstock construction - ensures body/trim material quality and facilitates usage of alloy materials
- High flow - Cv 0.4 (Kv 0,34) in a compact design
- T-bar handle - allows convenient, precise final setpoint adjustment
- Proof-tested to 20,000 psi (1380 bar) - five times pressure rating, ensures safety when working with high pressures
- A variety of seal materials ensure compatibility with medium



A Division of Richards Industrials  
3170 Wasson Road  
Cincinnati, OH 45209  
USA  
Phone: 1.513.533.5600  
E-mail: [lowflow@richardsind.com](mailto:lowflow@richardsind.com)  
Website: [www.lowflowvalve.com](http://www.lowflowvalve.com)