

JRPH/JRPL Series

Pressure Reducing Valves

PRESSURE REDUCING VALVE

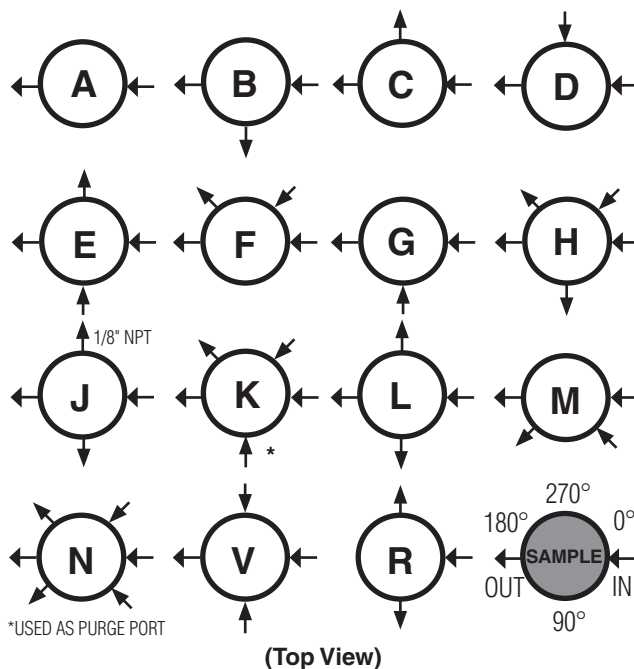
The LowFlow JRPH Series and JRPL Series are piston operated, balanced trim pressure regulators with high Cv's and KEL-F soft seat for ANSI Class VI shutoff. There are three set ranges for each model. Elastomer seals are used throughout with Buna-N, EPDM, and Viton being standard options, along with matching back up seals. These valves are designed to regulate a variety of gases, water, acids and oils.

Features:

- All wetted materials are 316L Stainless Steel. Other materials available on application
- Soft Kel-F seat provides ANSI Class VI shutoff
- Piston sensing for better regulation at higher pressures
- Balanced trim design allows for higher flows



JRPH & JRPL SERIES FLOW CONFIGURATIONS



JRPH SERIES SPECIFICATIONS

Line Size: 1/2", 3/4" & 1" (DN15, DN20 & DN25)

Materials

- Body & Trim: SS 316L
- Spring Housing: SS 316L
- Seat Insert: KEL-F
- Body Seals: Elastomer o-rings (Buna-N, EPDM, Viton) with back up rings

Inlet Pressure: 5800 psi (400 bar)

Spring Ranges:

- Black: 0 – 2150 psi (0 – 148 bar)
- Orange: 0 - 4060 psi (0 - 280 bar)
- Green: 0 - 5800 psi (0 - 400 bar)

Seat Diameter: 0.40" (10mm)

Maximum Operating Pressure: 5,800 psi max inlet @ 100°F / 3,000 psi max ΔP (400 bar max inlet @ 38°C / 207 bar max ΔP)

Maximum Operating Temperature: 4,800 psi max inlet @ 250°F (331 bar max inlet @ 121°C)

End Connections

- Threaded Ends – FNPT or BSPP
- Socketweld
- Buttweld

Gauge Port: 1/4" NPT

Temperature Range: -29°F to +250°F (-20°C to +120°C) - actual range depends on choice of seal materials

Shutoff: Class VI

Flow Capacity: Cv 2.1 (1,81 Kv)

Optional Cleaning: For oxygen service, oil free service

Options

- Panel Mounting
- Locking Wire
- Tamper Proof
- Lockout Device

JRPL SERIES SPECIFICATIONS

Line Size: 1/2", 3/4" & 1" (DN15, DN20 & DN25)

Materials

- Body & Trim: SS 316L
- Spring Housing: SS 316L
- Seat Insert: KEL-F
- Body Seals: Elastomer o-rings (Buna-N, EPDM, Viton) with back up rings

Inlet Pressure: 5800 psi (400 bar)

Spring Ranges:

- Silver: 0 – 275 psi (0 – 19 bar)
- Beige: 0 – 400 psi (0 – 28 bar)
- Purple: 0 - 580 psi (0 - 40 bar)
- Black: 0 - 1160 psi (0 - 80 bar)

Seat Diameter: 0.40" (10mm)

Maximum Operating Pressure: 5,800 psi max inlet @ 100°F / 3,000 psi max ΔP (400 bar max inlet @ 38°C / 207 bar max ΔP)

Maximum Operating Temperature: 4,800 psi max inlet @ 250°F (331 bar max inlet @ 121°C)

End Connections

- Threaded Ends – FNPT or BSPP
- Socketweld
- Buttweld

Gauge Port: 1/4" NPT

Temperature Range: -29°F to +250°F (-20°C to +120°C) - actual range depends on choice of seal materials

Shutoff: Class VI

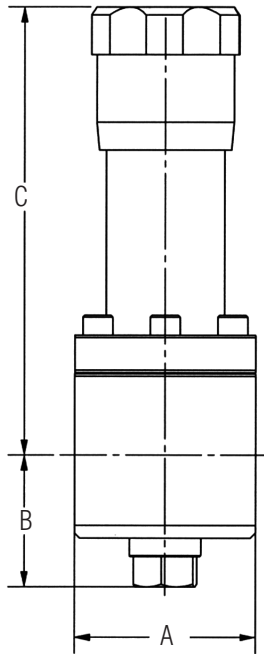
Flow Capacity: Cv 2.1 (1,81 Kv)

Optional Cleaning: For oxygen service, oil free service

Options

- Panel Mounting
- Locking Wire
- Tamper Proof
- Lockout Device

JRPH & JRPL DIMENSIONS



VALVE SIZE	DIMENSIONS, INCHES			WEIGHT, LBS
	A	B	C	
1/2"	2.8	2.1	7.5	7.7
3/4"	3.2	1.8	7.5	9.9
1	3.2	1.8	7.5	9.9

VALVE SIZE	DIMENSIONS, MM			WEIGHT, KGS
	A	B	C	
DN15	71	53	191	3,5
DN20	81	46	191	4,5
DN25	81	46	191	4,5

OPTION & DEFINITION

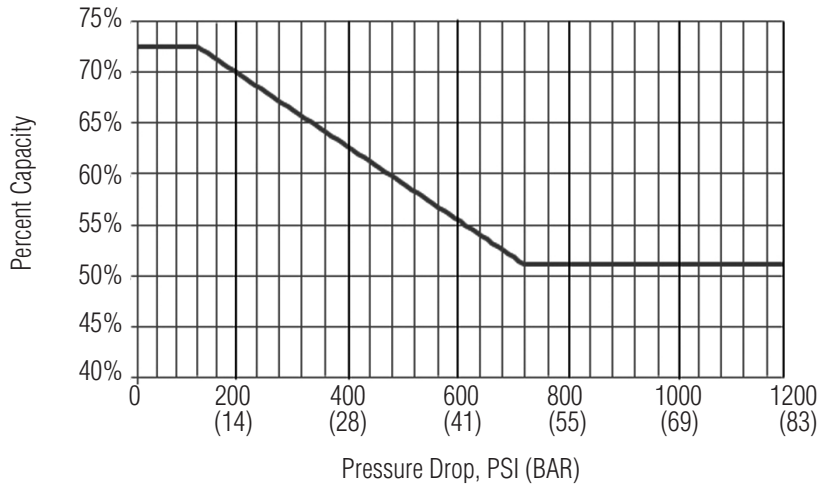
Panel Mount The panel mount feature utilizes a threaded spring housing and a panel mount ring to secure the regulator to an instrument panel. This option requires a 2" panel cut out.

Locking Wire The locking wire option utilizes a lead sealed metal wire to physically hold the adjusting screw in place to prevent any unwanted set point changes.

Tamper Proof The tamper proof option replaces the standard adjusting knob with a stainless steel acorn nut.

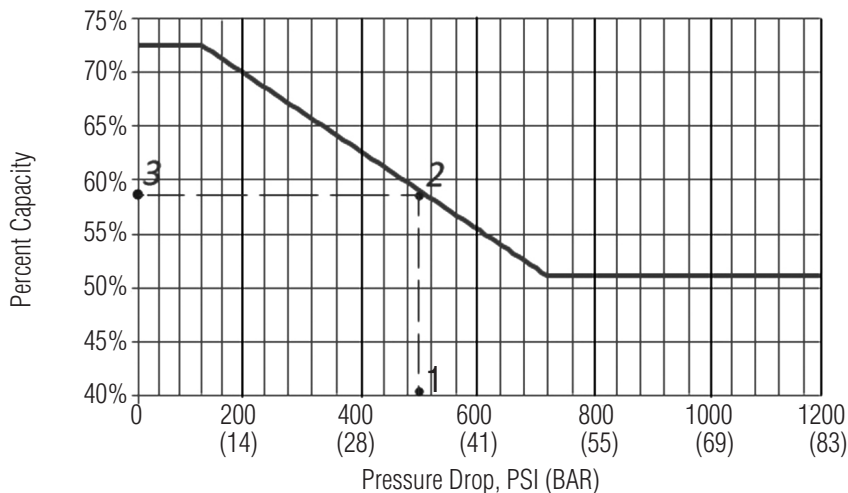
Lockout Device The lockout device is a 2 piece polypropylene enclosure which encapsulates the adjustment knob and prevents unwanted set point changes. The part number required for this valve is 26971. (Lock not included)

JRPH & JRPL SERIES SIZING



SIZING

1. Find the pressure drop on the X-axis
2. Draw a line, parallel with the Y-axis to the point where it intersects the curve on the graph
3. Draw a line, parallel with the X-axis to the Y-axis. This will determine the percent capacity that will work with the pressure drop.
4. Check JVCV (Jordan Valve Control Sizing Program) to verify percent capacity is not exceeded
5. Note: From 720 psi (50 bar) pressure drop to maximum pressure drop (3000 psi / 207 bar) use 51% capacity



EXAMPLE

Methane gas, ambient temperature, P1 - 1400 psi, P2=900 psi, 3/4" schedule 40 pipe, flow rate 50,000 SCFH

1. Pressure drop of 500 psi.
2. Draw a line, parallel with the Y-axis to the point where it intersects the curve on the graph
3. Draw a line, parallel with the X-axis to the Y-axis. This will determine the percent capacity that will work with the pressure drop. The percent capacity you can use is 58% of the rated Cv.
4. Input the process conditions into the JVCV sizing program. Using the conditions in this example, a 3/4" JRPL with 0 - 1160 range spring will be 43% open, lower than the 58% capacity based on the pressure drop.

JRPH SERIES ORDERING SCHEMATIC

Model	Size	Material	1 & 2	3 & 4	5 & 6	7 & 8	9 & 10	11 & 12	13 & 14	15	16	17
—	—	—										

Model	
JRPH	High Range

Size	
050	1/2" (DN15)
075	3/4" (DN20)
100	1" (DN25)

Material	
6L	Stainless Steel 316L

1 & 2	Body Feature		
End Connection	Port Configuration		
C	FNPT 1/2"	A	Port "A"
D	FNPT 3/4"	B	Port "B"
E	FNPT 1"	C	Port "C"
F	BSPP 1/2"	D	Port "D"
G	BSPP 3/4"	E	Port "E"
H	BSPP 1"		
ZZ	Non-Standard		

3 & 4	Trim
BB	Buna-N
EE	EPDM
VV	Viton
ZZ	Non-Standard

5 & 6	Seat
K5	KEL-F Cv 2.1 (1,81 Kv)
ZZ	Non-Standard

7 & 8	Range Spring/Outlet Pressure
H4	0 - 2150 psi (148,2 bar)
H5	0 - 4060 psi (279,9 bar)
H6	0 - 4930 psi (339,9 bar)
ZZ	Non-Standard

9 & 10	Diaphragm
00	None
ZZ	Non-Standard

11 & 12	Actuator
SK	Standard
CV	Captured Vent
PM	Panel Mount
ZZ	Non-Standard

13 & 14	Inlet Gauge
LL	0 - 3000 PSIG/BAR (Dual)
MM	0 - 5000 PSIG/BAR (Dual)
PP	0-10000 PSIG/BAR (Dual)
NN	None
ZZ	Non-Standard

15	Outlet Gauge
K	0 - 2000 PSIG/BAR (Dual)
L	0 - 3000 PSIG/BAR (DUAL)
M	0 - 5000 PSIG/BAR (Dual)
P	0 - 10000 PSIG /BAR (Dual)
N	None
Z	Non-Standard

16	SEP Compliance
G	SEP Compliant
0	None
Z	Non-Standard

17	Accessories
S	Clean for Oil Free
X	Clean for Oxygen*
0	None*
Z	Non-Standard

* Consult factory for compatible gauge options

JRPL SERIES ORDERING SCHEMATIC

Model	Size	Material	1 & 2	3 & 4	5 & 6	7 & 8	9 & 10	11 & 12	13 & 14	15	16	17
—	—	—	—	—	—	—	—	—	—	—	—	—

Model	
JRPL	Low Range

Size	
050	1/2" (DN15)
075	3/4" (DN20)
100	1" (DN25)

Material	
6L	Stainless Steel 316L

1 & 2		Body Feature	
End Connection		Port Configuration	
C	FNPT 1/2"	A	Port "A"
D	FNPT 3/4"	B	Port "B"
E	FNPT 1"	C	Port "C"
F	BSPP 1/2"	D	Port "D"
G	BSPP 3/4"	E	Port "E"
H	BSPP 1"	F	Port "F"
		G	Port "G"
		H	Port "H"
		J	Port "J"
		K	Port "K"
		L	Port "L"
		M	Port "M"
		N	Port "N"
		V	Port "V"
		R	Port "R"
ZZ		Non-Standard	

3 & 4		Trim	
BB		Buna-N	
EE		EPDM	
VV		Viton	
ZZ		Non-Standard	

5 & 6		Seat	
K5		KEL-F Cv 2.1 (1,81 Kv)	
ZZ		Non-Standard	

7 & 8		Range Spring/Outlet Pressure	
EC		0 - 275 psi (0-19 bar) (silver)	
E1		0 - 400 psi (0 - 28 bar) (beige)	
E2		0 - 580 psi (0 - 40 bar) (purple)	
E3		0 - 1160 psi (0 - 80 bar) (black)	
ZZ		Non-Standard	

9 & 10		Diaphragm	
00		None	

11 & 12		Actuator	
SK		Standard	
PM		Panel Mount	
ZZ		Non-Standard	

13 & 14		Inlet Gauge	
FF		0 - 300 PSIG/BAR (Dual)	
GG		0 - 400 PSIG/BAR (DUAL)	
HH		0 - 600 PSIG/BAR (Dual)	
JJ		0 - 1000 PSIG /BAR (Dual)	
KK		0 - 2000 PSIG/BAR (Dual)	
LL		0 - 3000 PSIG/BAR (Dual)	
MM		0 - 5000 PSIG/BAR (Dual)	
NN		None	
ZZ		Non-Standard	

* Customer assumes all responsibility for possible damage or injury if selected gauge span does not fully cover range spring / outlet pressure option

15		Outlet Gauge	
E		0 - 200 PSIG/BAR (Dual)	
F		0 - 300 PSIG/BAR (DUAL)	
G		0 - 400 PSIG/BAR (Dual)	
H		0 - 600 PSIG /BAR (Dual)	
J		0 - 1000 PSIG/BAR (Dual)	
K		0 - 2000 PSIG/BAR (Dual)	
N		None	
Z		Non-Standard	

* Customer assumes all responsibility for possible damage or injury if selected gauge span does not fully cover range spring / outlet pressure option

JRPL SERIES ORDERING SCHEMATIC

Model	Size	Material		1 & 2	3 & 4	5 & 6	7 & 8	9 & 10	11 & 12	13 & 14	15	16	17
	—	—	/										

16	SEP Compliance
G	SEP Compliant
0	None
Z	Non-Standard

17	Accessories
B	Standard, Preset, with Locking Wire*
C	Panel Mount, Preset, with Locking Wire*
S	Clean for Oil Free**
X	Clean for Oxygen**
0	None
Z	Non-Standard

* Specify pressure at order entry

** Consult factory for compatible gauge options